

# WALKIE STACKER



INDUSTRIAL EQUIPMENT

REACH NEW HEIGHTS

2000 - 2500 LBS.

SPECIFICATIONS



8BWS10-13

CLASS  
3

ELECTRIC PALLET JACKS/STACKERS/TOW TRACTORS

[ToyotaForklift.com](http://ToyotaForklift.com)



TOYOTA

TOYOTA

POWERED BY

BUSCH  
BEER  
12  
40 FL. OZ. BOTTLES

BUD LIGHT

Budweiser  
12  
40 FL. OZ. BOTTLES

BUSCH  
BEER  
12  
40 FL. OZ. BOTTLES

BUSCH  
BEER  
12  
40 FL. OZ. BOTTLES

BUSCH  
BEER  
12  
40 FL. OZ. BOTTLES

BUSCH  
BEER  
12  
40 FL. OZ. BOTTLES

BUSCH  
BEER  
12  
40 FL. OZ. BOTTLES

CAPACITY  
**2000 - 2500 LBS.**

BASE LEG INSIDE DIMENSION  
**33 - 51 IN.**

LIFT HEIGHT  
**143 IN.**

## INDUSTRIES



## STANDARD FEATURES

## PERFORMANCE

- 24-Volt electrical system
- AC drive motor with thermal protection & current limiting
- Class “F” motor insulation
- Transistor drive control system
- Controller area network (CAN-bus) communication
- Regenerative braking
- Contactor-less drive controls
- Electronic touchpad, keyless entry system with password protection
- Programmable performance for up to 10 operators
- Electronic raise and lower controls in operator handle
- Programmable auto-off system
- Error indicator with self-diagnostics
- Fault code memory with hour meter reading
- Hour meter indicator
- Programmable service indicator
- Battery discharge indicator with lift interrupt
- Anti-rollback system
- Fused control and power circuits
- IP65-rated electrical system

## BODY/EXTERIOR DESIGN

- Poly drive tire, 10" dia. x 5" width
- Polyurethane load wheels, 4" dia. x 3" width
- Battery compartment 27.3" x 7.8" x open height
- SB-175 battery connector (red)
- High-strength service cover with pen/pencil storage tray
- Tool-free cover removal
- Electric horn

## OPERABILITY &amp; ERGONOMICS

- Multifunction control handle with ergonomically angled handgrips
- Fingertip control of all functions
- Directional thumb controls
- Programmable neutral speed reduction
- Direction reverse switch on control handle
- Turtle torque control
- Spring-loaded control handle
- “Pinwheel” capability for right-angle stacking
- Electric disc brake
- Emergency power disconnect
- Battery disconnect handle
- Electronic brake release jumper

## OPTIONAL EQUIPMENT

- Battery compartment 27.3" x 9" x open height
- Battery/charger pack (24V) flooded lead-acid (175 Ah)
- Battery/charger pack (24V) maintenance-free (190 Ah)
- Grip rubber drive tire (maxmatic tread)
- Cold storage conditioning
- UL-approved model type “E”
- UL-approved model type “EE”
- NexSys® maintenance-free battery/charger pack
- GNB maintenance-free battery/charger pack (24V-195 Ah)
- Key switch
- Bumper-mounted rubber skirt
- Adjustable-width base legs
- Amber strobe light
- Forward/reverse travel alarm

# TRUCK SPECIFICATIONS

## MODEL NUMBERS

GENERAL DATA		8BWS10	8BWS13
Load Capacity (with 24" load center)	lb (kg)	2000 (905)	2500 (1130)
Brakes		Electric Disc Brake	

EXTERIOR DIMENSIONS		8BWS10	8BWS13
Carriage Width	in (mm)	31 (787)	
Basic Right-Angle Stacking Aisle Width		See chart	
<b>A</b> Maximum Fork Height	in (mm)	53 - 143 (1346 - 3632) per FL	
<b>B</b> Mast Lowered Height	in (mm)	71 - 91 (1803 - 2312)	
<b>C</b> Mast Extended Height	in (mm)	93 - 183 (2362 - 4694)	
<b>D</b> Minimum Fork Height	in (mm)	2 (50)	
<b>E</b> Wheelbase	in (mm)	48.8 (1238)	
<b>F</b> Head Length (length to fork face)	in (mm)	35.6 (905)	
<b>G</b> Truck Length (length to end of base legs)	in (mm)	61.3 (1556)	
<b>H</b> Power Unit Width	in (mm)	28 (711)	
<b>I</b> Power Unit Height	in (mm)	33.1 (841)	
<b>J</b> Battery Compartment Width (actual)	in (mm)	27.5 (699)	
<b>K</b> Base Leg Inside Dimension (ID) - Range	in (mm)	33 - 51 (813 - 1295)	
<b>L</b> Base Leg Outside Dimension (OD) - Range	in (mm)	41 - 59 (1017 - 1499)	
<b>M</b> Base Leg Width	in (mm)	4 (102)	
<b>N</b> Fork Width	in (mm)	4 (102)	
<b>O</b> Fork Adjustment (out to out) - Range	in (mm)	10 - 31.1 (254 - 789)	
<b>P</b> Underclearance (bumper)	in (mm)	3 (75)	
<b>Q</b> Outside Turning Radius	in (mm)	56.4 (1433)	

POWER SYSTEM		8BWS10	8BWS13
Total Weight Without Battery <sup>1</sup>		lb (kg)	
		1710 (776)	
Power Type		Battery	
Battery	Voltage / Capacity (6-hour ratings)	Max. V / Ah	24 / 255
	Cable Location / Length	in (mm)	B / 15 (381)
	Connector / Color		SB-175 / Red
	Weight	Min./Max. lb (kg)	290 / 550 (132 / 249)
Electric Motors	Drive (60 min.)	hp (kw)	1.2 (0.9)
	Load Handling (5 min. 20%)	hp (kw)	4 (3)
Control Type	Drive		Transistor
	Load Handling		Electromagnetic Contactor

PERFORMANCE DATA			8BWS10	8BWS13
Maximum Travel Speed	Full Load	mph (km/h)	3.4 (5.5)	
	No Load	mph (km/h)	3.6 (5.8)	
Lift Speed	Full Load	fpm (mm/sec)	20 - 28 (101.6 - 142.2)	19 - 27 (96.5 - 137.2)
	No Load	fpm (mm/sec)	37 - 45 (188 - 228.6)	
Lowering Speed	Full Load	fpm (mm/sec)	42 - 53 (213.4 - 269.2)	43 - 54 (218.4 - 274.3)
	No Load	fpm (mm/sec)	39 - 50 (198.1 - 254)	

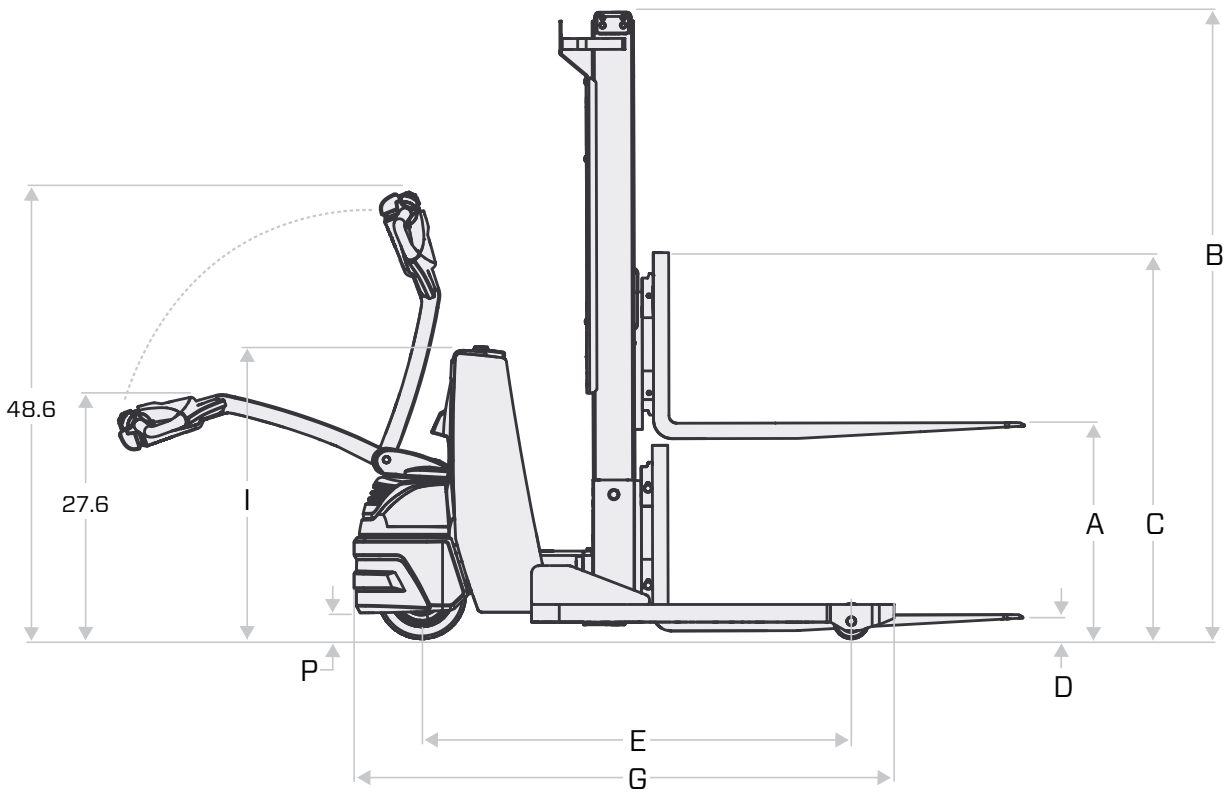
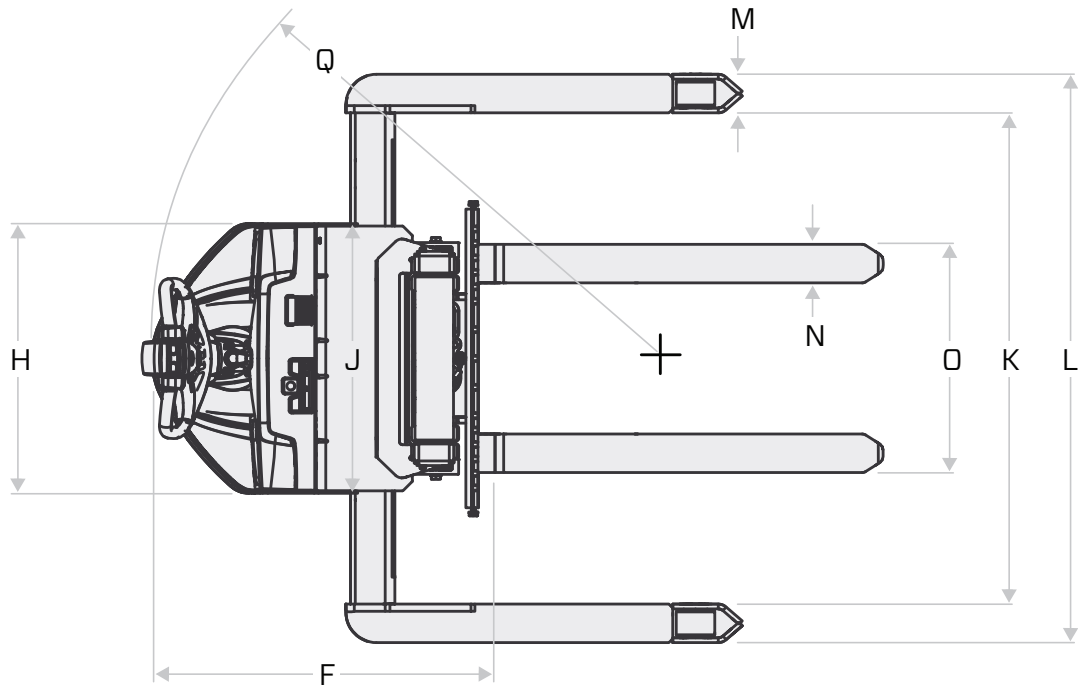
TIRES		8BWS10	8BWS13
Type		Rubber & Polyurethane	
Size (diameter x width)	Drive Tire	in (mm)	10 x 5 (254 x 127)
	Load Wheels	in (mm)	4 x 3 (100 x 76)

AISLE REQUIREMENT - RIGHT ANGLE STACK <sup>2</sup>			8BWS10	8BWS13
Load Width		in (mm)	36 (914)	40 (1016)
		Load Length	42 (1067)	44 (1117)
			48 (1219)	
	30 (762)	in (mm)	72.3 (1836)	76.8 (1951)
	32 (813)	in (mm)	72.6 (1844)	77.2 (1961)
	36 (914)	in (mm)	73.2 (1859)	78 (1981)
	40 (1016)	in (mm)	73.8 (1875)	78.8 (2002)
	42 (1067)	in (mm)	74 (1880)	79.3 (2014)
	44 (1118)	in (mm)	74.2 (1885)	79.7 (2024)
	48 (1219)	in (mm)	74.5 (1892)	80.6 (2047)
			82.8 (2103)	84.8 (2154)
			88.6 (2250)	

<sup>1</sup> With 104" MFH mast.

<sup>2</sup> Minimum Aisle Width for Right-Angle Stacking: Aisle widths have been given for a standard model with 7.8" battery compartment. Add a minimum of 12" for maneuverability.

# TRUCK DIMENSIONS



## MAST SPECIFICATIONS

MAST TYPE	MAXIMUM FORK HEIGHT (TOP OF FORKS)	OVERALL LOWERED HEIGHT	FREE-LIFT WITH LOAD BACKREST <sup>1</sup>	MINIMUM BASE LEG ID	LOAD CAPACITY AT 24 IN. LOAD CENTER <sup>2</sup>
	in (mm)	in (mm)	in (mm)	in (mm)	lb (kg)
<b>8BWS10</b>					
Wide Visible (V)	104 (2650)	72 (1829)	6 (152)	32 (813)	2000 (905)
	112 (2845)	76 (1930)	6 (152)	32 (813)	2000 (905)
	128 (3251)	84 (2134)	6 (152)	32 (813)	2000 (905)
	143 (3632)	91 (2311)	6 (152)	32 (813)	1600 (725)
Full Free-Lift 2-Stage (FV)	104 (2650)	72 (1829)	30 (762)	32 (813)	2000 (905)
	112 (2845)	76 (1930)	34 (863)	32 (813)	2000 (905)
	128 (3251)	84 (2134)	42 (1067)	32 (813)	2000 (905)
	143 (3632)	91 (2311)	50 (1270)	32 (813)	1600 (725)
Single-Stage (S)	53 (1346)	71 (1803)	30 (762)	32 (813)	2000 (905)
	65 (1651)	83 (2108)	42 (1067)	32 (813)	2000 (905)

MAST TYPE	MAXIMUM FORK HEIGHT (TOP OF FORKS)	OVERALL LOWERED HEIGHT	FREE-LIFT WITH LOAD BACKREST <sup>1</sup>	MINIMUM BASE LEG ID	LOAD CAPACITY AT 24 IN. LOAD CENTER <sup>2</sup>
	in (mm)	in (mm)	in (mm)	in (mm)	lb (kg)
<b>8BWS13</b>					
Wide Visible (V)	104 (2650)	72 (1829)	6 (152)	32 (813)	2500 (1130)
	112 (2845)	76 (1930)	6 (152)	32 (813)	2500 (1130)
	128 (3251)	84 (2134)	6 (152)	32 (813)	2000 (905)
	143 (3632)	91 (2311)	6 (152)	32 (813)	1600 (725)
Full Free-Lift 2-Stage (FV)	104 (2650)	72 (1829)	30 (762)	32 (813)	2500 (1130)
	112 (2845)	76 (1930)	34 (863)	32 (813)	2500 (1130)
	128 (3251)	84 (2134)	42 (1067)	32 (813)	2000 (905)
	143 (3632)	91 (2311)	50 (1270)	32 (813)	1600 (725)
Single-Stage (S)	53 (1346)	71 (1803)	30 (762)	32 (813)	2500 (1130)
	65 (1651)	83 (2108)	42 (1067)	32 (813)	2500 (1130)

<sup>1</sup> Height of standard load backrest is 40" (1010 mm).  
<sup>2</sup> Capacity given with 7.8" battery compartment.



Some product features described herein are optional. Please consult your dealer for specifications.  
Details of specifications and equipment are based on information available at time of printing and may change without notice.



**INDUSTRIAL EQUIPMENT**

**REACH NEW HEIGHTS**

007228BWSSS

©2016 Toyota Material Handling, U.S.A., Inc.